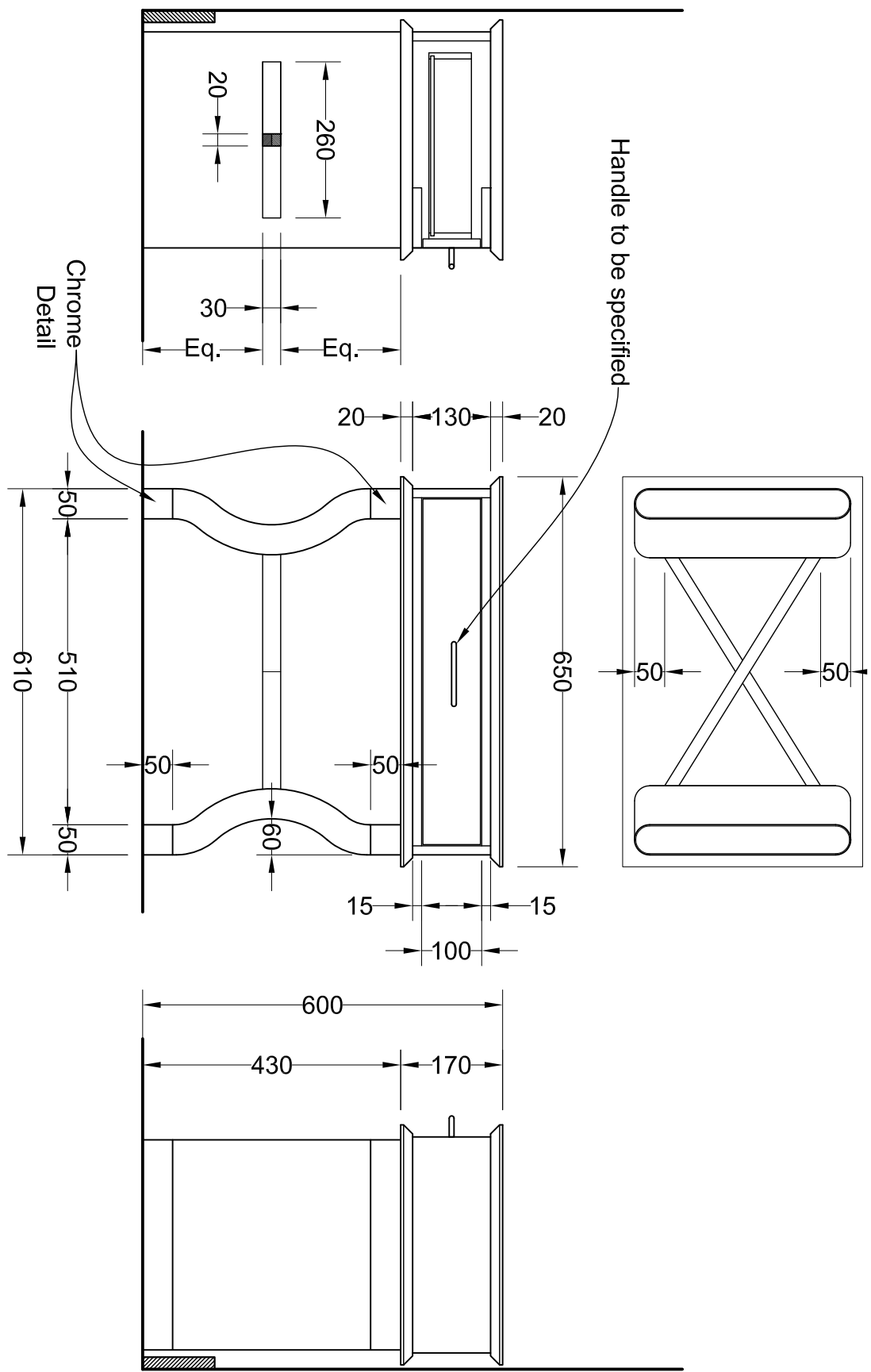


Handle to be specified



THIS DRAWING IS PROTECTED UNDER THE COPYRIGHT, DESIGN AND PATENT ACT 1988.

DO NOT SCALE. DIMENSIONS AND LEVELS ARE TO BE CHECKED ON SITE BEFORE CONSTRUCTION BEGINS. DISCREPANCIES ARE TO BE REPORTED TO THE INTERIOR DESIGNER.

THIS DRAWING IS TO BE READ IN CONJUNCTION WITH THE MAIN CONTRACT DOCUMENTS, SUB-CONTRACTORS AND SPECIALISTS DRAWINGS.

No.	Revision/Issue	Date

REVERELY HILLS INTERIORS
 Interior Design & Decoration
 3 HIGH STREET, WELKYN, HERTS, AL9 6EE
 TEL: 01438 84017
 FAX: 01438 84017
 EMAIL: DESIGN@REVERELYHILLS.CO.UK
 WEBSITE: WWW.REVERELYHILLSINTERIORS.CO.UK

Project	Sheet
Date 27.07.10	6
Scale 1:100A4	