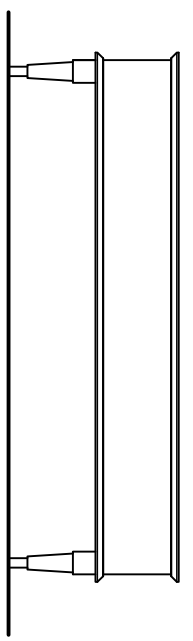
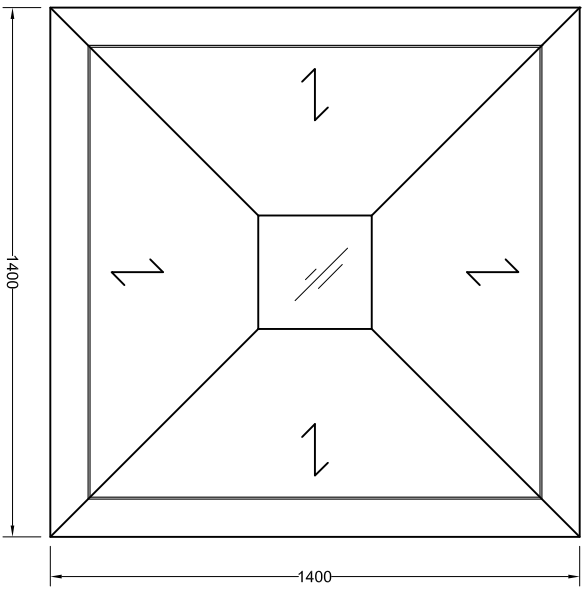
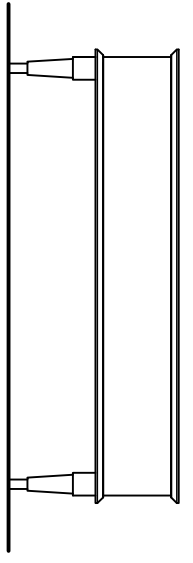
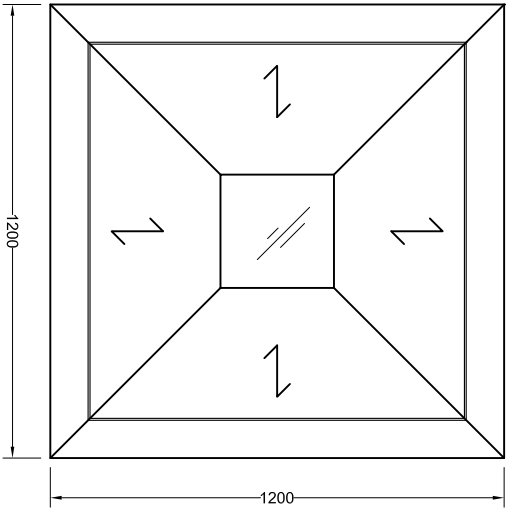


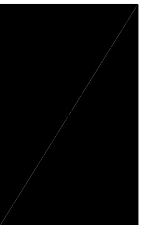
THIS DRAWING IS PROTECTED UNDER THE COPYRIGHT, DESIGN AND PATENT ACT 1988.

DO NOT SCALE. DIMENSIONS AND LEVELS ARE TO BE CHECKED. SITE ERRORS ON CONSTRUCTION BEGINS. DISCREPANCIES ARE TO BE REPORTED TO THE INTERIOR DESIGNER.

THIS DRAWING IS TO BE USED IN CONNECTION WITH THE MAIN CONTRACT WITH THE ARCHITECT, CONSULTANTS, SUB-CONTRACTORS AND SPECIALISTS DRAWINGS.



No.	Revision/Issue	Date



Project Name and Address  
**COFFEE SIZE OPTIONS**

Project	Sheet
Date 27.07.10	10
Scale 1:20@A4	